



Front Seat Cover Replacement

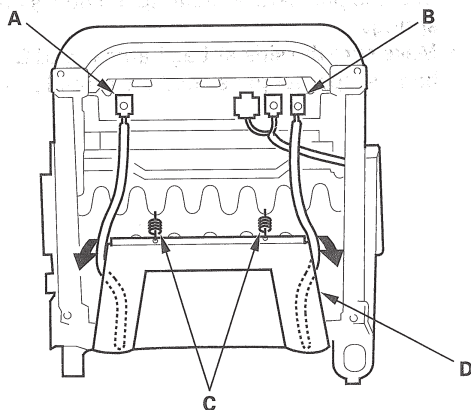
For some models: SRS components are located in this area. Review the SRS component locations (see page 23-15) and the precautions and procedures (see page 23-16) before performing repairs or service.

NOTE:

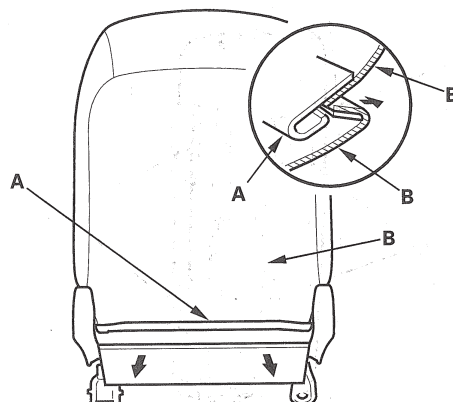
- Take care not to tear the seams or damage the seat covers.
- On the passenger's seat with side airbag, do not touch the OPDS sensor in the seat-back pad, and keep it away from oil. Oil can corrode the sensor causing it to fail.
- Put on gloves to protect your hands.

Seat-back Cover

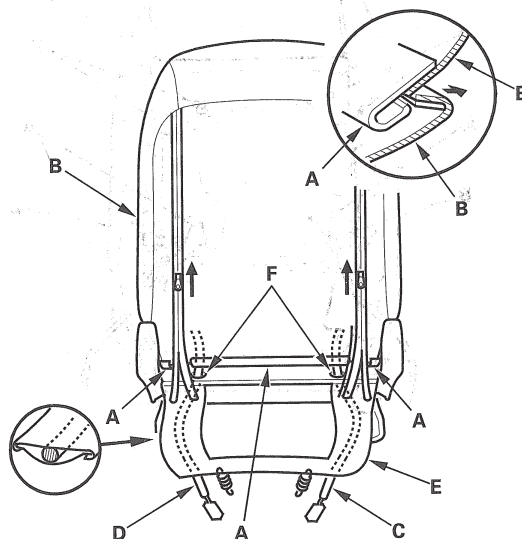
1. Remove the front seat (see page 20-109).
2. Remove the headrest.
3. Driver's seat: If equipped, remove the armrest (see page 20-114).
4. With side airbag: From under the seat cushion, detach the side airbag connector clip (A), and on the passenger's seat, detach the OPDS unit connector clip (B). Release the hook springs (C), then pull the harness guide (D) back. The passenger's seat is shown; the driver's seat is symmetrical except it has no OPDS unit connector.



5. Fold the seat-back forward.
6. Without side airbag: Release the hook (A), and fold back the seat-back cover (B).



7. With side airbag: Release the hooks (A), and unzip the seat-back cover (B). Pull the side airbag harness (C) and the OPDS harness (D) (passenger's seat) out through the harness guides (E) and holes (F) in the seat-back cover.

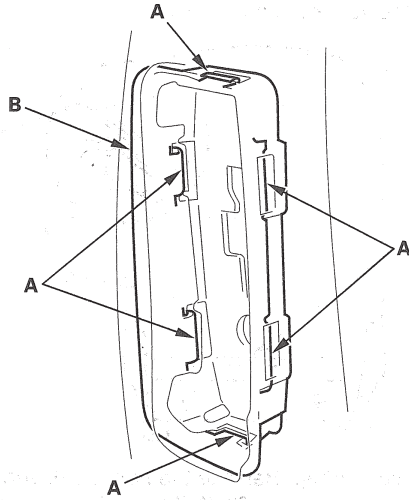


(cont'd)

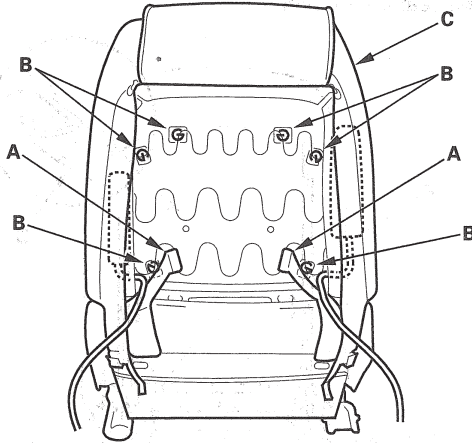
Seats

Front Seat Cover Replacement (cont'd)

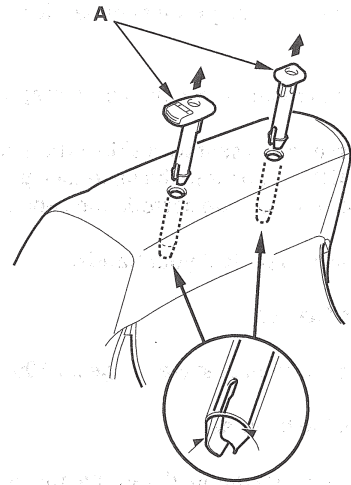
8. With side airbag: Remove the side airbag (see page 23-141), and release the hooks (A) from the airbag module holder (B).



9. Release the hooks (A) and hook springs (B), then loosen the seat-back cover (C).



10. Pull out the headrest guides (A) while pinching the end of the guides, and remove them.



11. Pull back the seat-back cover all the way around, then remove it.

12. Install the cover in the reverse order of removal, and note these items:

- To prevent wrinkles when installing a seat-back cover, make sure the material is stretched evenly over the pad before securing the hooks and hook springs.
- Make sure the side airbag harness and OPDS harness (passenger's seat) are routed properly.