



Trunk Lid Opener Cable/Fuel Fill Door Opener Cable Replacement

2-door

SRS components are located in this area. Review the SRS component locations (see page 23-15) and the precautions and procedures (see page 23-16) before doing repairs or service.

NOTE:

- Put on gloves to protect your hands.
- Take care not to scratch the body and related parts.

1. Remove these items from the left side of the vehicle:

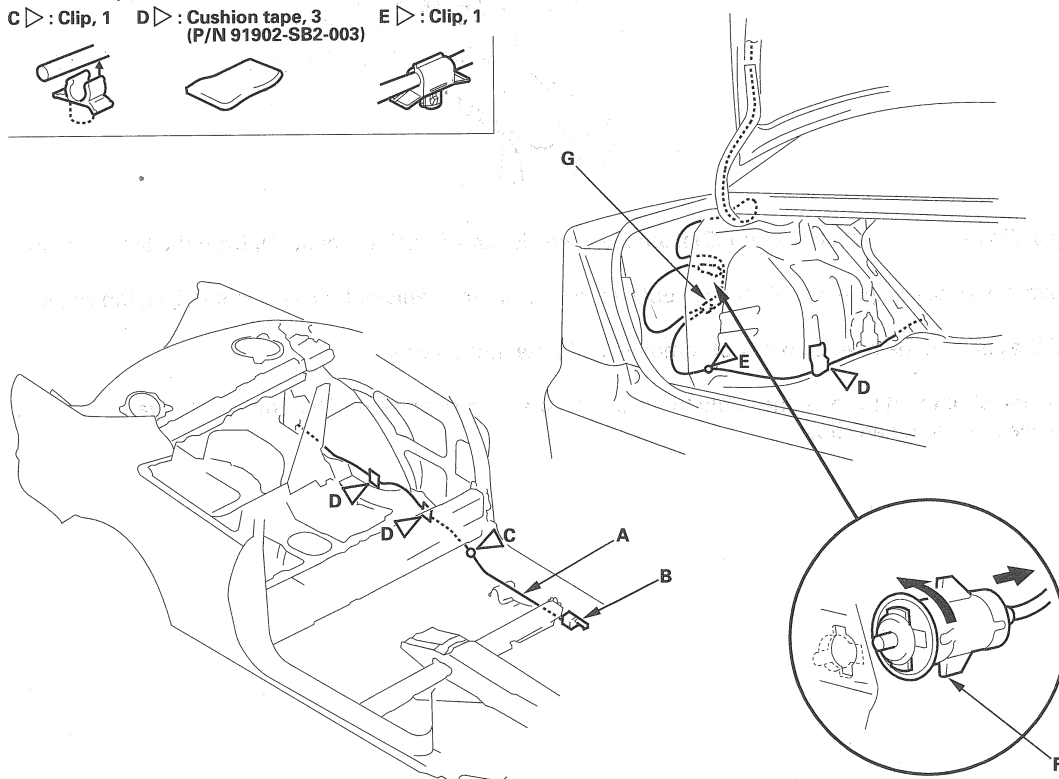
- Side trim panel (see page 20-85)
- Door sill trim (see page 20-83)
- Trunk side trim panel (see page 20-87)

2. Pull the carpet back as necessary (see page 20-91).

3. Disconnect the trunk lid opener/fuel fill door opener cable (A) from the opener (B) (see page 20-156).

Fastener Locations

C ▷ : Clip, 1 D ▷ : Cushion tape, 3
(P/N 91902-SB2-003) E ▷ : Clip, 1



4. Release the opener cable from the clip (C). Remove the cushion tape (D), and detach the clip (E) with a clip remover.

5. Remove the fuel fill door latch (F) by turning it 90°, and detach the opener cable junction box (G) from the body.

(cont'd)

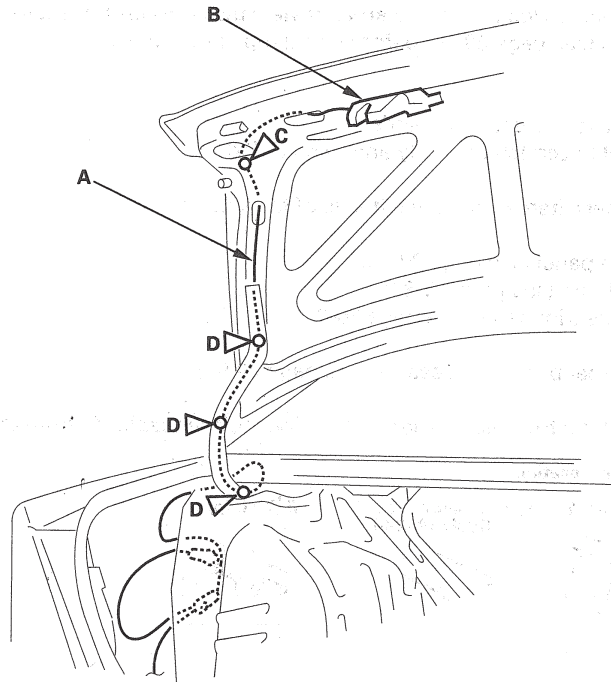
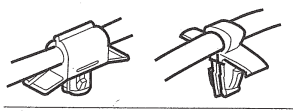
Openers

Trunk Lid Opener Cable/Fuel Fill Door Opener Cable Replacement (cont'd)

6. Disconnect the trunk lid opener cable (A) from the trunk lid latch (B) (see page 20-157).

Fastener Locations

C ▷ : Clip, 1 D ▷ : Clip, 3



7. Using a clip remover, detach the clip (C) from the trunk lid, and detach the clips (D) from the trunk lid hinge.
8. Remove the trunk lid opener/fuel fill door opener cable from the vehicle. Take care not to kink the cable.
9. Install the cable in the reverse order of removal, and note these items:
 - Align the alignment mark of the cable to the clip on the bottom portion of the trunk lid hinge.
 - Replace any damaged clips.



4-door

SRS components are located in this area. Review the SRS component locations (see page 23-15) and the precautions and procedures (see page 23-16) before performing repairs or service.

NOTE:

- Put on gloves to protect your hands.
- Take care not to scratch the body and related parts.

1. Remove these items from the left side of the vehicle:

- Front door sill trim (see page 20-84)
- Seat side trim (see page 20-84)
- Trunk side trim panel (see page 20-88)

2. Pull the carpet back as necessary (see page 20-91).

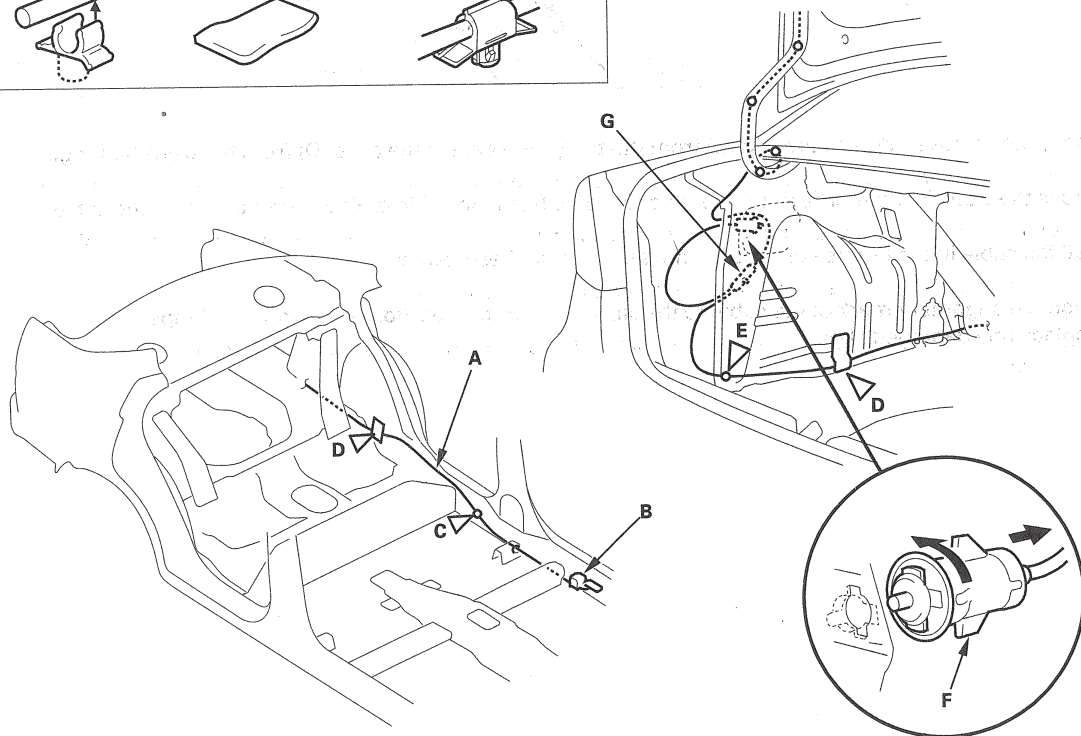
3. Disconnect the trunk lid opener/fuel fill door opener cable (A) from the opener (B) (see page 20-156).

Fastener Locations

C ▷ : Clip, 1

D ▷ : Cushion tape, 2
(P/N 91902-SB2-003)

E ▷ : Clip, 1



4. Release the opener cable from the clip (C). Remove the cushion tape (D), and detach the clip (E) by using a clip remover.

5. Remove the fuel fill door latch (F) by turning it 90°, and detach the opener cable junction box (G) from the body.

(cont'd)

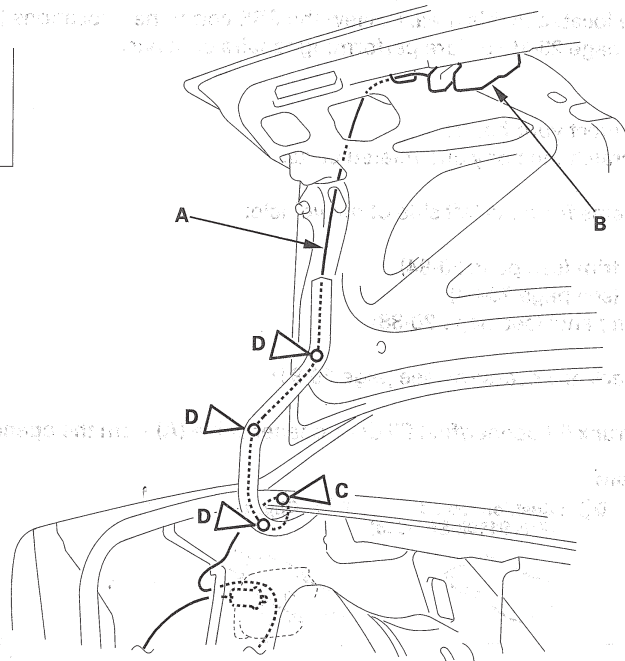
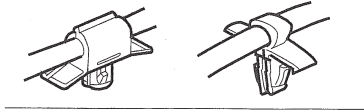
Trunk Lid Opener Cable/Fuel Fill Door Opener Cable Replacement (cont'd)

6. Disconnect the trunk lid opener cable (A) from the trunk lid latch (B) (see page 20-157).

Fastener Locations

C ▷ : Clip, 1

D ▷ : Clip, 3



7. Using a clip remover, detach the clip (C) from the body, and detach the clips (D) from the trunk lid hinge.
8. Remove the trunk lid opener/fuel fill door opener cable from the vehicle. Take care not to kink the cable.
9. Install the cable in the reverse order of removal, and note these items:
 - Align the alignment mark of the cable to the clip on the bottom portion of the trunk lid hinge.
 - Replace any damaged clips.

