



Hood Latch Replacement

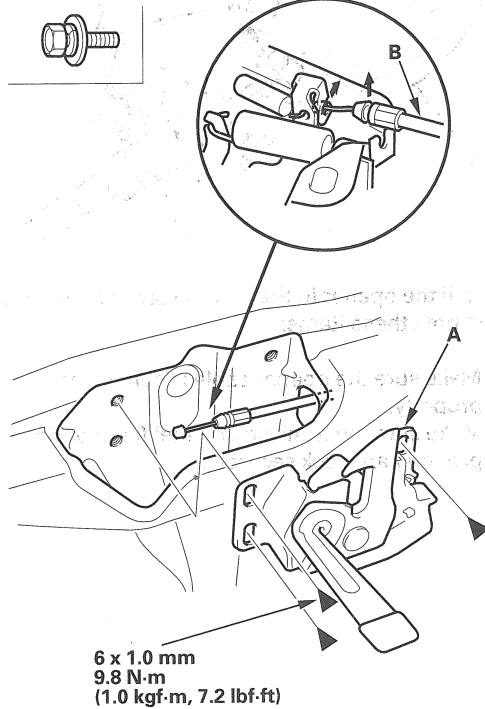
NOTE:

- Put on gloves to protect your hands.
- Take care not to scratch the body.

1. Remove the bolts, then remove the hood latch (A) from the body.

Fastener Locations

▶ Bolt, 3



2. Disconnect the hood opener cable (B) from the hood latch. Take care not to kink the cable.

3. Install the latch in the reverse order of removal, and note these items:

- Apply multipurpose grease to the hood latch as indicated by the arrows.
- Make sure the hood opener cable is connected properly.
- Make sure the cable actuates the latch before you close the hood.
- Adjust the hood latch alignment (see step 3 on page 20-130).
- Make sure the hood opens properly and locks securely.

