



Applies To: **2003–04 Civic 4-Door EX and LX** – VIN starts with 1HG or 2HG

March 4, 2005

Inaccurate Fuel Gauge Reading

SYMPTOM

At any fuel level, the fuel gauge reading drops by 1/4 tank, or 3 to 4 graduation marks. In some cases, the fuel gauge indicates “E” and the low fuel warning light is on. After driving for several minutes, or cycling the ignition switch off/on, the fuel gauge returns to the correct reading. This problem is intermittent, and it affects only Civics with Visteon gauge assemblies.

PROBABLE CAUSE

The software specification for calculating the current fuel level is incorrect.

CORRECTIVE ACTION

Replace the gauge assembly.

WARRANTY CLAIM INFORMATION

In warranty: The normal warranty applies.

Operation Number: 734101

Flat Rate Time: 0.3 hour

Failed Part: Same as listed in **PARTS INFORMATION**

Defect Code: 03214

Symptom Code: 03902

Skill Level: Repair Technician

Out of warranty: Any repair performed after warranty expiration may be eligible for goodwill consideration by the District Parts and Service Manager or your Zone Office. You must request consideration, and get a decision, before starting work.

PARTS INFORMATION

Meter Assembly

2003 LX M/T without side airbags:
P/N 78120-S5A-A06, H/C 7237761

2003 LX A/T without side airbags:
P/N 78120-S5A-A16, H/C 7237787

2003 LX M/T with side airbags:
P/N 78120-S5A-A26, H/C 7237803

2003 LX A/T with side airbags:
P/N 78120-S5A-A36, H/C 7237829

2003 EX M/T without side airbags:
P/N 78120-S5A-A46, H/C 7237845

2003 EX A/T without side airbags:
P/N 78120-S5A-A56, H/C 7237860

2003 EX M/T with side airbags:
P/N 78120-S5A-A66, H/C 7237886

2003 EX A/T with side airbags:
P/N 78120-S5A-A76, H/C 7237902

2004 LX M/T without side airbags:
P/N 78120-S5A-A08, H/C 7474885

2004 LX A/T without side airbags:
P/N 78120-S5A-A18, H/C 7474893

2004 LX M/T with side airbags:
P/N 78120-S5A-A28, H/C 7474901

2004 LX A/T with side airbags:
P/N 78120-S5A-A38, H/C 7474919

2004 EX M/T without side airbags:
P/N 78120-S5A-A48, H/C 7474927

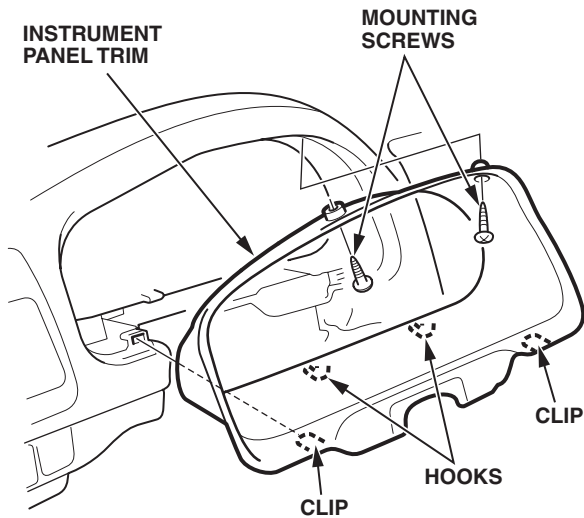
2004 EX A/T without side airbags:
P/N 78120-S5A-A58, H/C 7474935

2004 EX M/T with side airbags:
P/N 78120-S5A-A68, H/C 7474943

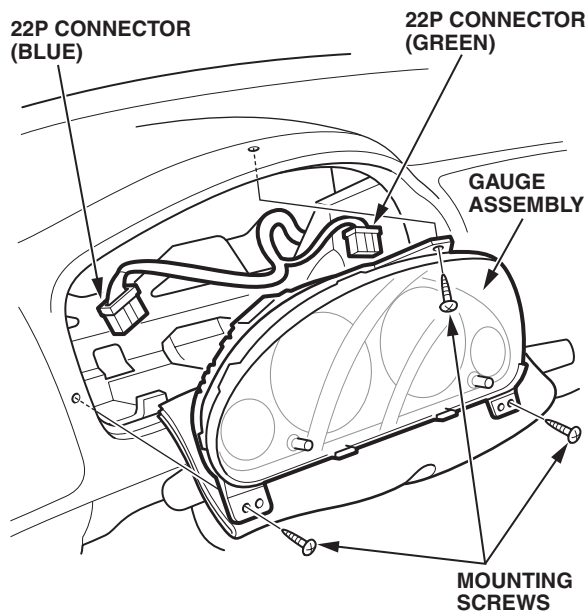
2004 EX A/T with side airbags:
P/N 78120-S5A-A78, H/C 7474950

REPAIR PROCEDURE

1. Tilt the steering wheel all the way up.
2. Remove the three upper cover mounting screws from the lower steering column cover, then tilt the steering wheel all the way down, and remove the column covers.
3. Remove the two mounting screws from the instrument panel trim. Gently pull on the bottom of the trim to release the two clips and the two hooks. Carefully pull the trim out of the dashboard.



4. Remove the three mounting screws from the gauge assembly, and gently pull it away from the dashboard. Unplug the blue and green 22P connectors from the top of the assembly, then remove the gauge assembly.



5. Install the appropriate new gauge assembly listed under **PARTS INFORMATION**.

NOTE:

- Laws governing odometer repair, replacement, or servicing may vary from state to state. Questions concerning state law should be directed to your applicable state agency, DMV office, or an attorney.
 - Refer to the Honda Service Operations Manual (Section 2.24) for warranty policies and procedures regarding odometer servicing and replacement.
6. Reinstall all removed parts.