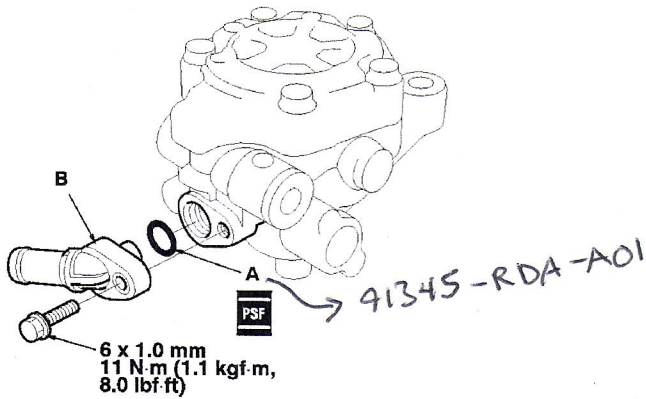


44. Coat the new 13 mm O-ring (A) with power steering fluid, and install it on the inlet joint (B).
45. Install the inlet joint on the pump housing.



46. Install the pulley (A), then loosely install the pulley nut (B). Hold the power steering pump in a vise with soft jaws (C). Be careful not to damage the pump housing with the jaws of the vise.
47. Hold the pulley with the special tool, and tighten the pulley nut.
48. Check that the pump turns smoothly by turning the pulley. If it turns hard, loosen the five flange bolts ('01-03 models) or four flange bolts ('04-05 models) on the cover, then try retightening them again in the same manner as in the step 36.
49. Install the power steering pump.

