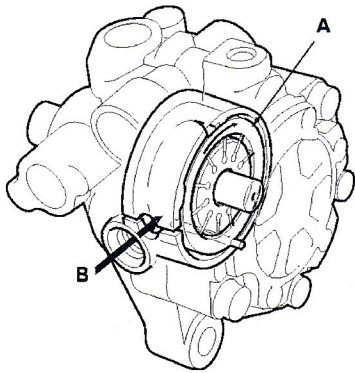
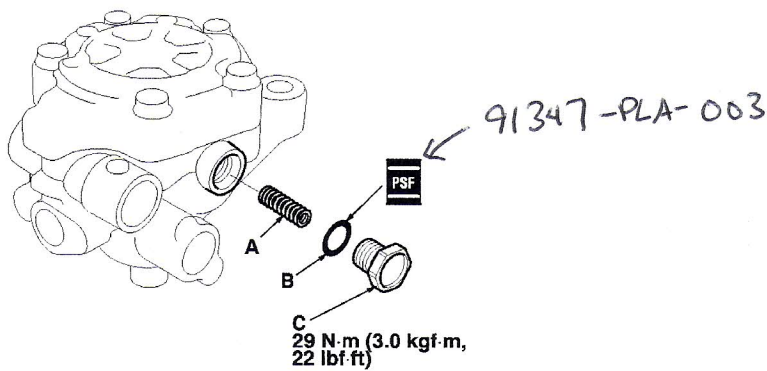


37. Push in the cam ring (A) from the pump housing cap hole (B) with a flat blade screwdriver, to make sure the cam ring is fully seated against the outer case.



38. Install the pump preload spring (A) in the pump housing.
39. Coat the new 12.7 mm O-ring (B) with power steering fluid, and install it on the pump housing cap (C).
40. Install the pump housing cap on the pump housing, and tighten it to the specified torque.



41. Coat the pressure control valve (A) with power steering fluid, and install pressure control valve and spring (B) on the pump housing.
42. Coat the new 16.7 mm O-ring (C) with power steering fluid, and install it on the flow control valve cap (D).
43. Install the pressure control valve cap on the pump housing, and tighten it to the specified torque.