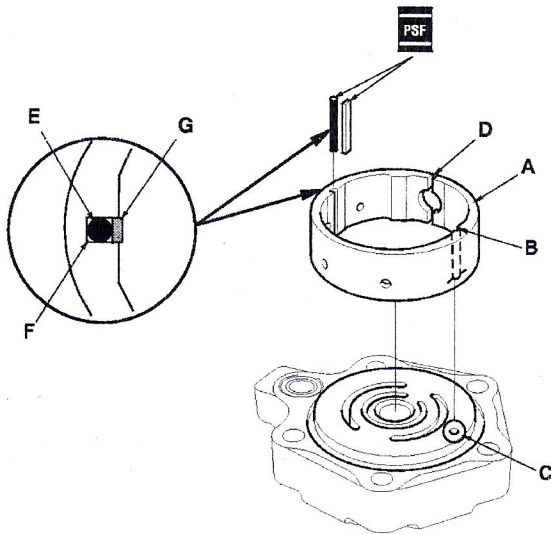
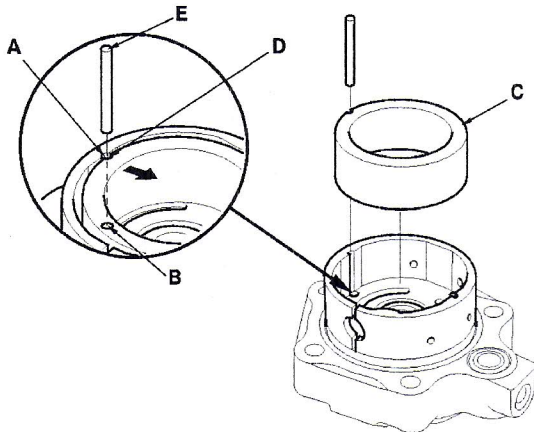


INTERACTIVE NETWORK

26. Apply the power steering fluid to the rubber seal (E) black, and install it in the slot (F) of the outer case.
27. Apply power steering fluid to the slipper seal (G) (white), and install it on top of the rubber seal you just installed.



28. Align the slot (A) in the outer case with the roll pin hole (B) on the cover.
29. Install the cam ring (C) by aligning the slot (D) with the slot in the outer case.
30. Insert the roll pin (E) into the slots between the cam ring and outer case, then push the roll pin into the set hole.



31. Install the rotor (A) in the cam ring (B).
32. Set the 11 vanes (C) in the grooves in the rotor. Make sure that the round ends (D) of the vanes are in contact with the sliding surface of the cam ring.