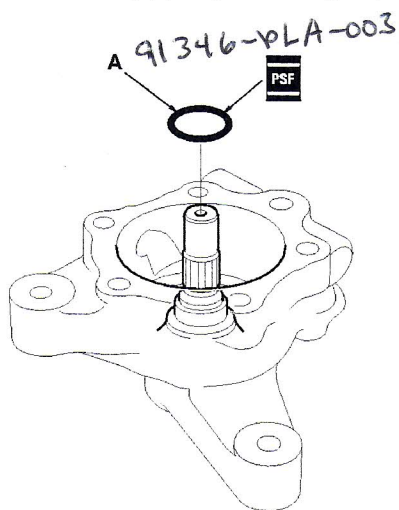
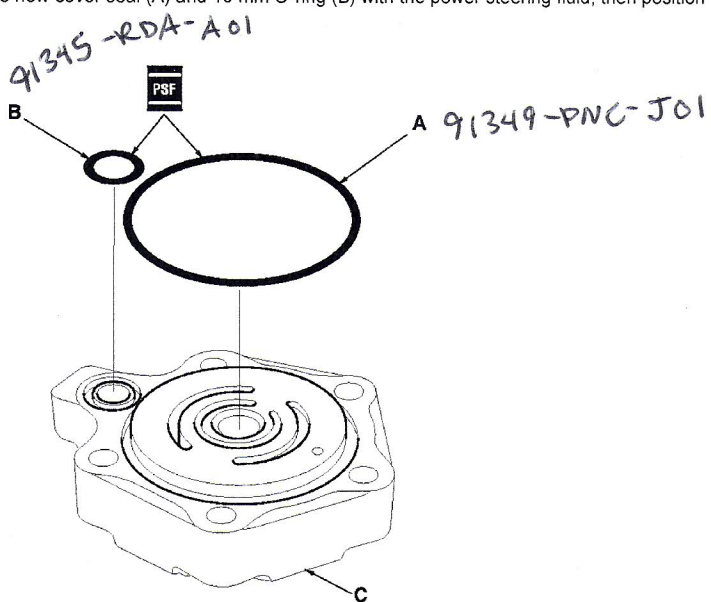


23. Coat the new 23.8 mm O-ring (A) with power steering fluid, then position it into the groove on the bottom of the pump housing.



24. Coat the new cover seal (A) and 13 mm O-ring (B) with the power steering fluid, then position them into the grooves on the cover (C).



25. Install the outer case (A) by aligning the slot (B) inside the outer case with the cover roll pin hole (C). Be sure that the slit (D) on the outer case faces the direction shown.