



Door Sash Trim Replacement

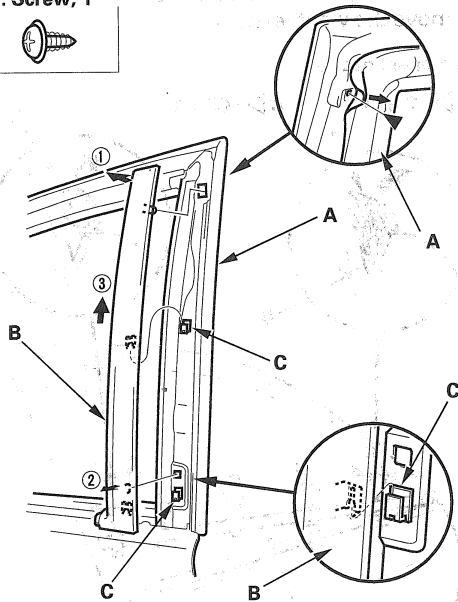
2-door

NOTE: Take care not to scratch the door.

1. Remove the door glass outer weatherstrip (see page 20-20).
2. Pull back the door weatherstrip (A) at the rear upper corner, and remove the screw.

Fastener Location

► : Screw, 1



3. Lift up the door sash trim (B) to release the hooks (C), then remove the trim.

NOTE: The door sash trim will be damaged during removal.

4. Install a new door sash trim in the reverse order of removal.

Front Door Sash Trim Replacement

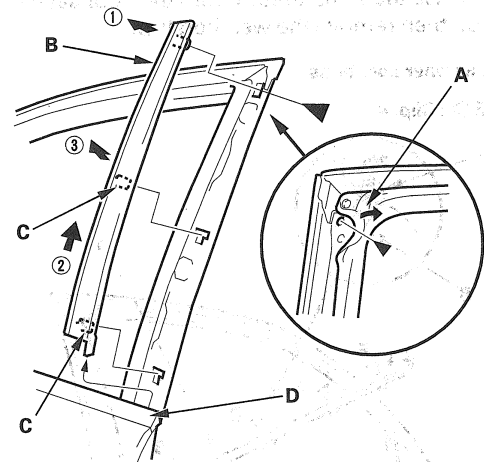
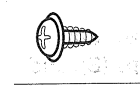
4-door

NOTE: Take care not to scratch the door.

1. Pull back the door weatherstrip (A) at the rear upper corner, and remove the screw.

Fastener Location

► : Screw, 1



2. Lift up the door sash trim (B) to release the hooks (C), then remove the trim. Take care not to damage the door glass outer weatherstrip (D).

3. Install the trim in the reverse order of removal.