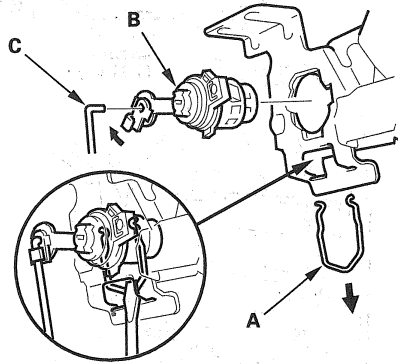


Door Outer Handle Replacement

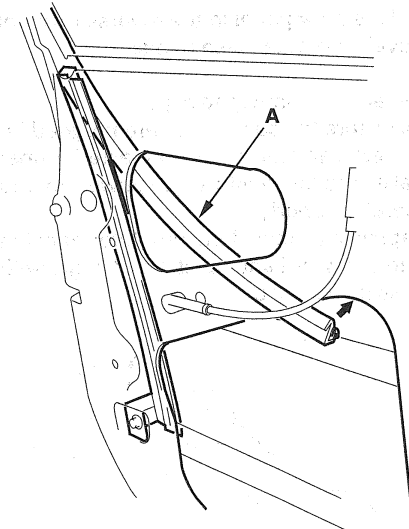
2-door

NOTE: Put on gloves to protect your hands.

1. Raise the glass fully.
2. Remove these items:
 - Door panel (see page 20-9)
 - Plastic cover, as necessary (see page 20-3)
3. Use a hooked-shaped tool to remove the retainer clip (A), then remove the lock cylinder (B). Disconnect the cylinder rod (C).



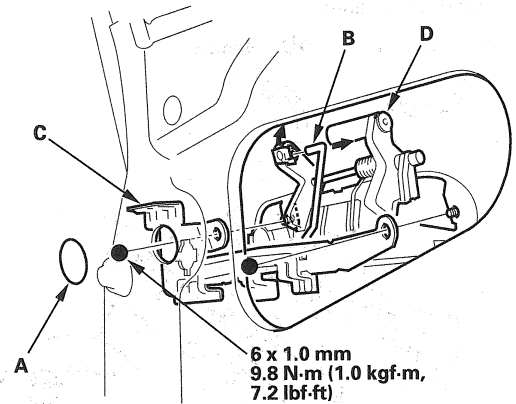
4. Pull the glass run channel (A) away as necessary.



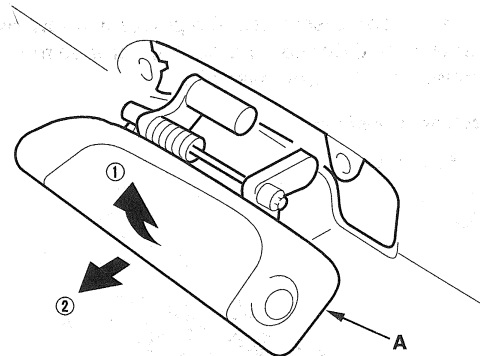
5. Remove the maintenance hole seal (A). Disconnect the outer handle rod (B), and remove the nuts, then remove the outer handle protector (C) from the outer handle (D).

Fastener Locations

● : Nut, 2



6. Pull out the outer handle (A) in the numbered sequence, and remove it.





Front Door Outer Handle Replacement

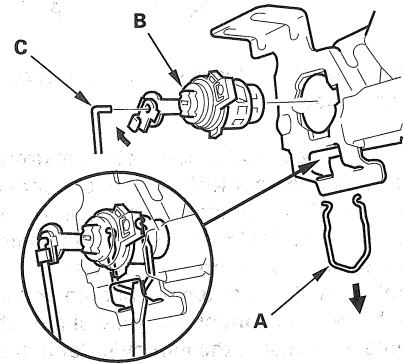
7. Install the handle in the reverse order of removal, and note these items:

- Make sure each rod is connected securely.
- Make sure the door locks and opens properly.
- When installing the lock cylinder, leave the outer door handle bolts loose so the inner protector does not interfere with the lock cylinder installation, then tighten the handle bolts.
- Install the lock cylinder retaining clip on the handle, then install the lock cylinder in the door. Be sure the clip is fully seated in the slot on the lock cylinder.
- When reinstalling the door panel, make sure the plastic cover is installed properly and sealed around its outside perimeter to seal out water.

4-door

NOTE: Put on gloves to protect your hands.

1. Raise the glass fully.
2. Remove these items:
 - Door panel (see page 20-10)
 - Plastic cover, as necessary (see page 20-5)
3. Use a hooked-shaped tool to remove the retainer clip (A), then remove the lock cylinder (B). Disconnect the cylinder rod (C).



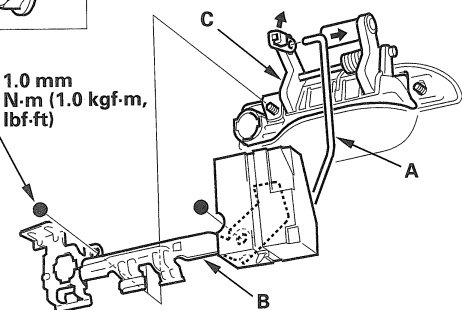
4. Disconnect the outer handle rod (A), and remove the nuts, then remove the outer handle protector (B) from the outer handle (C).

Fastener Locations

● : Nut, 2



6 x 1.0 mm
9.8 N·m (1.0 kgf·m,
7.2 lbf·ft)

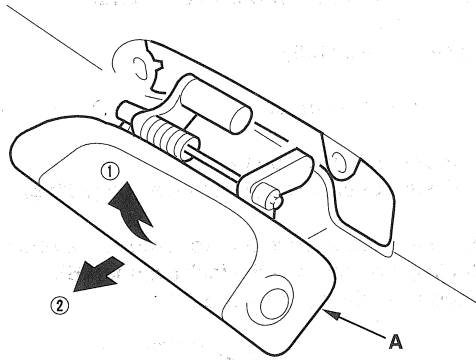


(cont'd)

Doors

Front Door Outer Handle Replacement (cont'd)

5. Pull out the outer handle (A) in the numbered sequence, and remove it.



6. Install the handle in the reverse order of removal, and note these items:

- Make sure each rod is connected securely.
- Make sure the door locks and opens properly.
- When installing the lock cylinder, leave the outer door handle bolts loose so the inner protector does not interfere with the lock cylinder installation, then tighten the handle bolts.
- Install the lock cylinder retaining clip on the handle, then install the lock cylinder in the door. Be sure the clip is fully seated in the slot on the lock cylinder.
- When reinstalling the door panel, make sure the plastic cover is installed properly and sealed around its outside perimeter to seal out water.

Door Latch Replacement

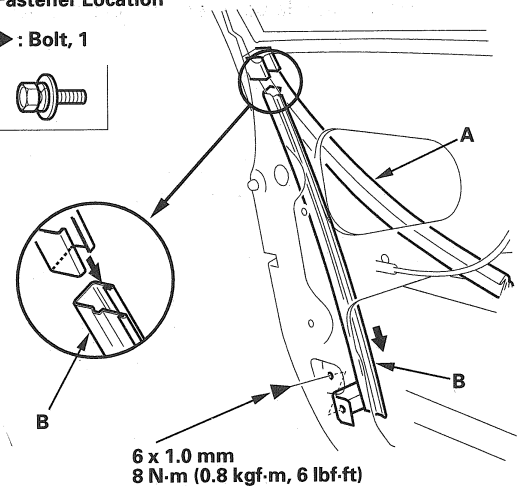
2-door

NOTE: Put on gloves to protect your hands.

1. Raise the glass fully.
2. Remove these items:
 - Door panel (see page 20-9)
 - Plastic cover, as necessary (see page 20-3)
3. Pull the glass run channel (A) away as necessary, and remove the bolt, then remove the center lower channel (B) by pulling it downward.

Fastener Location

► Bolt, 1



4. Disconnect the cylinder rod from the lock cylinder (see step 3 on page 20-12), and disconnect the outer handle rod from the outer handle (see step 5 on page 20-12).