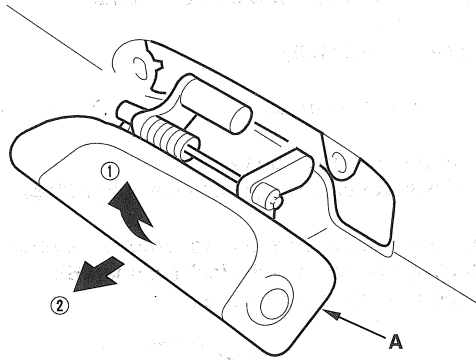


Doors

Front Door Outer Handle Replacement (cont'd)

5. Pull out the outer handle (A) in the numbered sequence, and remove it.



6. Install the handle in the reverse order of removal, and note these items:

- Make sure each rod is connected securely.
- Make sure the door locks and opens properly.
- When installing the lock cylinder, leave the outer door handle bolts loose so the inner protector does not interfere with the lock cylinder installation, then tighten the handle bolts.
- Install the lock cylinder retaining clip on the handle, then install the lock cylinder in the door. Be sure the clip is fully seated in the slot on the lock cylinder.
- When reinstalling the door panel, make sure the plastic cover is installed properly and sealed around its outside perimeter to seal out water.

Door Latch Replacement

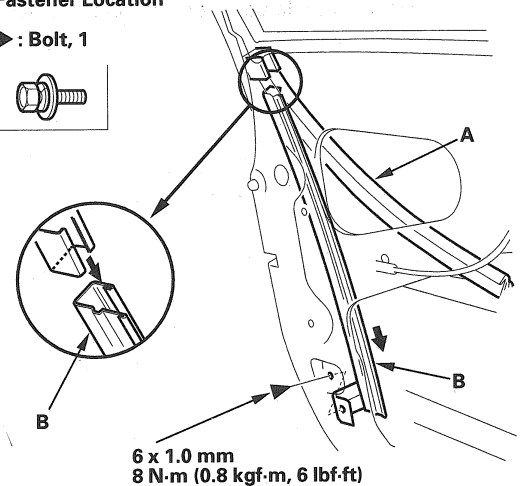
2-door

NOTE: Put on gloves to protect your hands.

1. Raise the glass fully.
2. Remove these items:
 - Door panel (see page 20-9)
 - Plastic cover, as necessary (see page 20-3)
3. Pull the glass run channel (A) away as necessary, and remove the bolt, then remove the center lower channel (B) by pulling it downward.

Fastener Location

► Bolt, 1



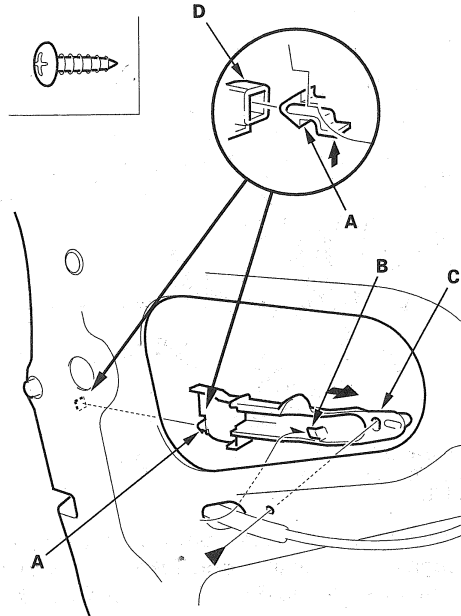
4. Disconnect the cylinder rod from the lock cylinder (see step 3 on page 20-12), and disconnect the outer handle rod from the outer handle (see step 5 on page 20-12).



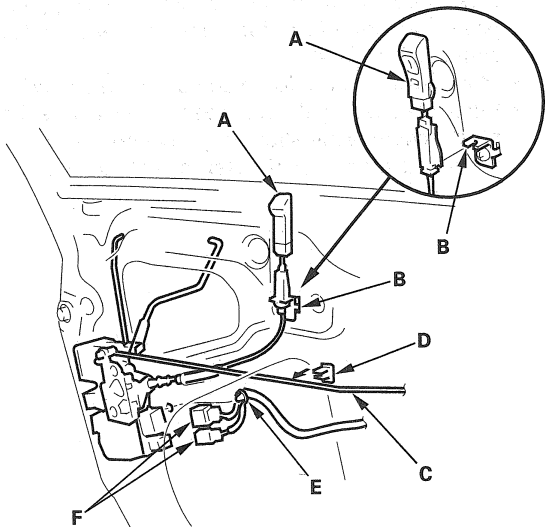
5. Remove the screw, and release the clip (A) and hook (B) while pulling the cable protector (C) forward, then remove it from the latch (D) and door.

Fastener Location

► : Screw, 1



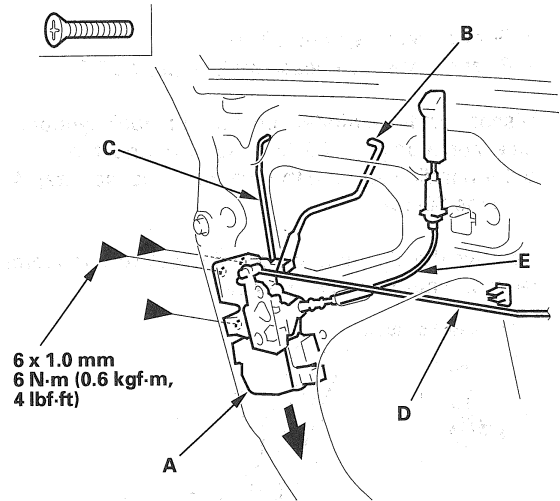
6. Release the lock knob (A) from the knob bracket (B), and detach the inner handle rod (C) from the rod holder (D). Detach the harness clip (E), and disconnect the actuator connectors (F).



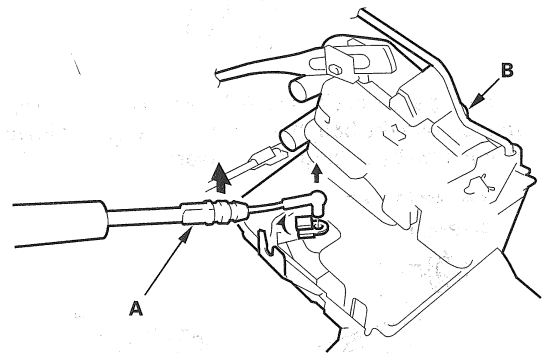
7. Remove the screws, then remove the latch (A) through the hole in the door. Take care not to bend the outer handle rod (B), cylinder rod (C), inner handle rod (D), and lock knob cable (E).

Fastener Locations

► : Screw, 3



8. If necessary, disconnect the lock knob cable (A) from the latch (B).



9. Install the latch in the reverse order of removal, and note these items:

- Make sure the actuator connectors are plugged in properly, and each rod and cable is connected securely.
- Make sure the door locks and opens properly.
- When reinstalling the door panel, make sure the plastic cover is installed properly and sealed around its outside perimeter to seal out water.

Doors

Front Door Latch Replacement

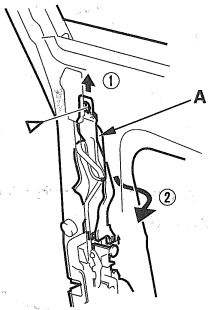
4-door

NOTE: Put on gloves to protect your hands.

1. Raise the glass fully.
2. Remove these items:
 - Door panel (see page 20-10)
 - Plastic cover, as necessary (see page 20-5)
3. Disconnect the cylinder rod from the lock cylinder (see step 3 on page 20-13), and disconnect the outer handle rod from the outer handle (see step 4 on page 20-13).
4. Remove the clip, and remove the lock rod protector (A) in the numbered sequence.

Fastener Location

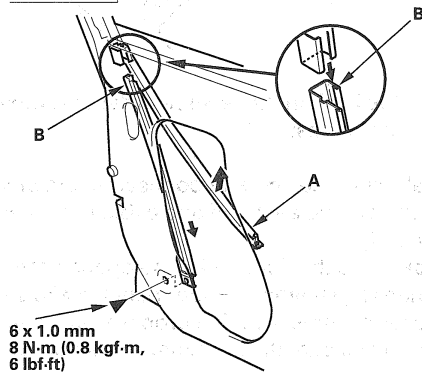
▶ : Clip, 1



5. Pull the glass run channel (A) away as necessary, and remove the bolt, then remove the center lower channel (B) by pulling it downward.

Fastener Location

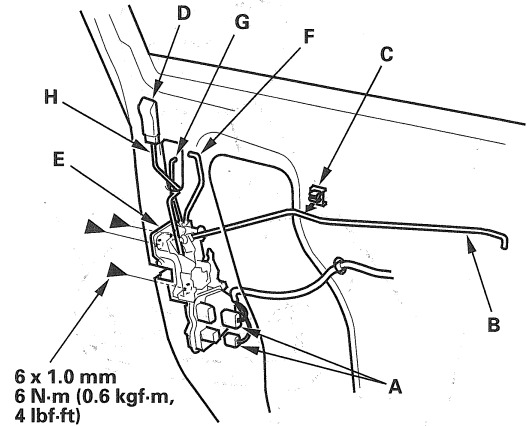
▶ : Bolt, 1



6. Disconnect the actuator connectors (A) (for some models), and detach the inner handle rod (B) from the rod holder (C). Remove the lock knob (D).

Fastener Locations

▶ : Screw, 3



7. Remove the screws, then remove the latch (E) through the hole in the door. Take care not to bend the outer handle rod (F), cylinder rod (G), lock rod (H), and inner handle rod.
8. Install the latch in the reverse order of removal, and note these items:
 - Make sure the actuator connectors are plugged in properly (with power door lock), and each rod is connected securely.
 - Make sure the door locks and opens properly.
 - When reinstalling the door panel, make sure the plastic cover is installed properly and sealed around its outside perimeter to seal out water.