



# INSTALLATION INSTRUCTIONS

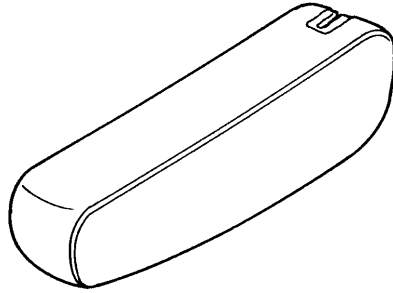
Accessory  
**ARMREST**

Application  
**2001 CIVIC  
4-DOOR**

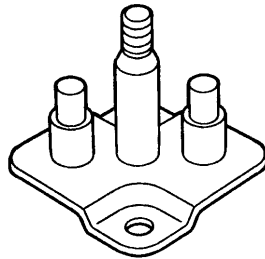
Publications No.  
**All 21889**  
Issue Date  
**DEC 2000**

## PARTS LIST

Armrest



Armrest mount



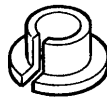
2 Washer-bolts, 6 x 16 mm



Plain washer



2 Bushings



Wave washer



Cap nut



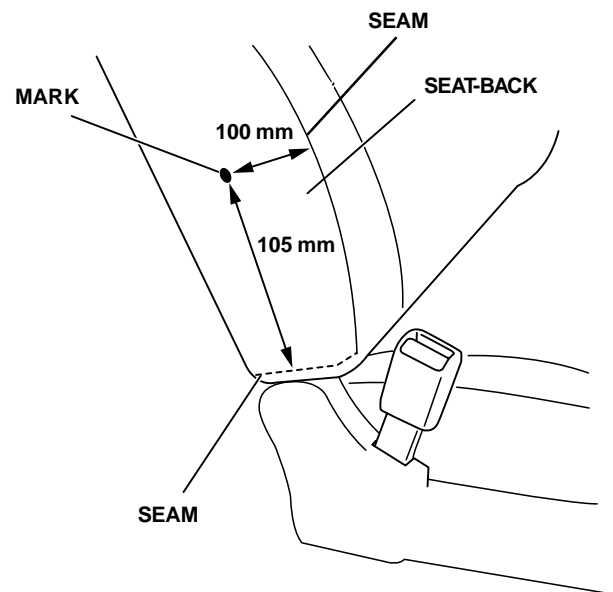
## TOOLS AND SUPPLIES REQUIRED

- Ratchet
- 10 mm and 17 mm Sockets
- Utility knife
- Felt-tip pen
- Tape measure
- Torque wrench

## INSTALLATION

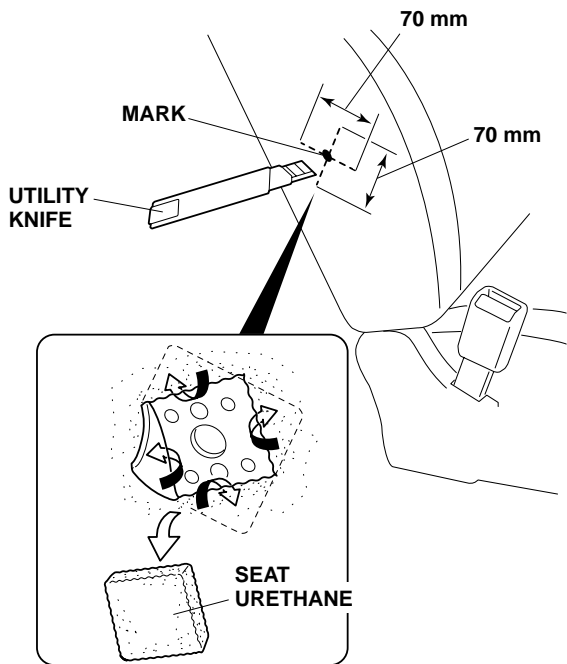
NOTE: Be extremely careful not to damage the seat cover.

- Using a tape measure and a felt-tip pen, measure and mark the seat-back.

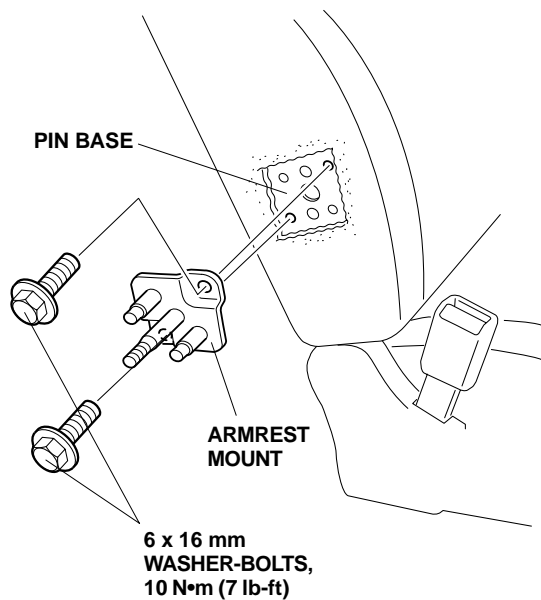


- Push in on the mark, and confirm that the mark is centered over the hole in the seat base.

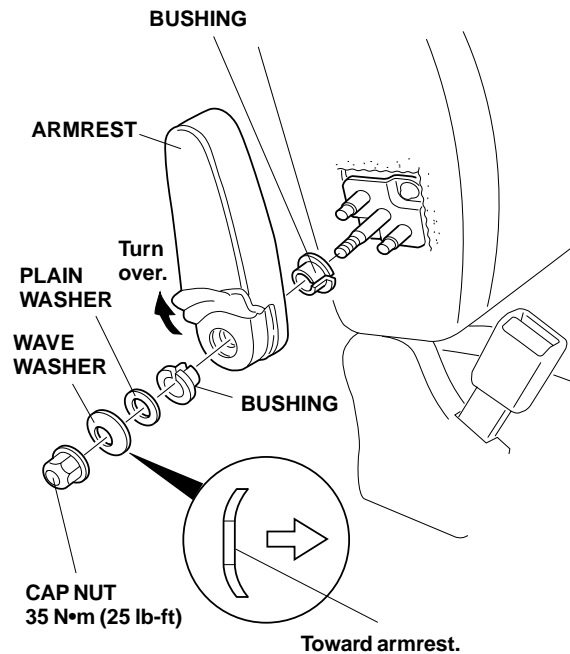
- Using a utility knife, make two 70 mm cuts in the seat cover through the mark at right angles to each other as shown. Using these 70 mm cuts as a guide, cut out the marked area from the seat urethane to expose the seat base.



- Position the armrest mount on the seat base, and install the two 6 x 16 mm washer-bolts. Torque the two 6 x 16 mm washer-bolts to 10 N•m (7 lb-ft).



- Zip open the armrest cover, and turn over the cover as shown.
- Install the bushing, the armrest, the other bushing, the plain washer, the wave washer (with the base facing the plain washer), and the cap nut in the order listed. Torque the cap nut to 35 N•m (25 lb-ft).



- Reinstall the armrest cover, and zip the cover closed.
- Check that the armrest moves up and down smoothly.